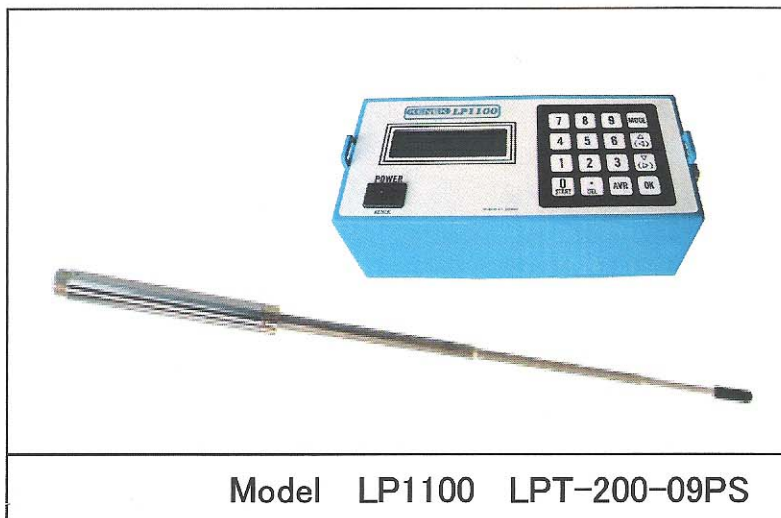


# Portable, Data logger built-in Electromagnetic Current meter

Model	LP1100	LPT-200-09PS
		LPT500-25F

1. Simple measurement of direct reading of Display. Data storage measurement of keep the device depth or distance with the flow speed data.  
 Continuous measuring method of real time transfer to the P.C.
2. Store the flow rate data with distance, device depth or time to the Memory.  
 Easy to processing by P.C.
3. Able to use extra Detector in case of occur trouble. (Compatibility of Detector)
4. High accurate measurement is always by adjust most suitable sensitivity automatically according to the flow speed.
5. Process the bulk sampling data to average calculation accurately by computer.
6. Store the measured time with flow speed data simultaneously.
7. Easy to use on the field even in rain weather.



### Display of measuring mode 1

dist	depth	sec	m/s
08.0	0.40	40	1.076
08.0	0.20	40	1.272
08.0	0.20	40	1.201

### Display of measuring mode 2

```
## monitor ## (R4)
current=1.000m/s
(avr = 40sec)
[START] [MODE]
```

### [Standard accessories]

#### Main unit model:LP1100

AC adaptor	1
P.C.connecting cable	1
Carrying case	1
Data transfer software	1
Instruction manual	1

#### Detector unit model:LPT-200-09PS

Vertical rod type detector	1
Connecting cable (3m)	1
Data sheet	1
Storage case for detector	1

### [Options]

Suporting rod (φ 19mm Length 1m)
Storage case

#### Detector unit model:LPT-500-25F

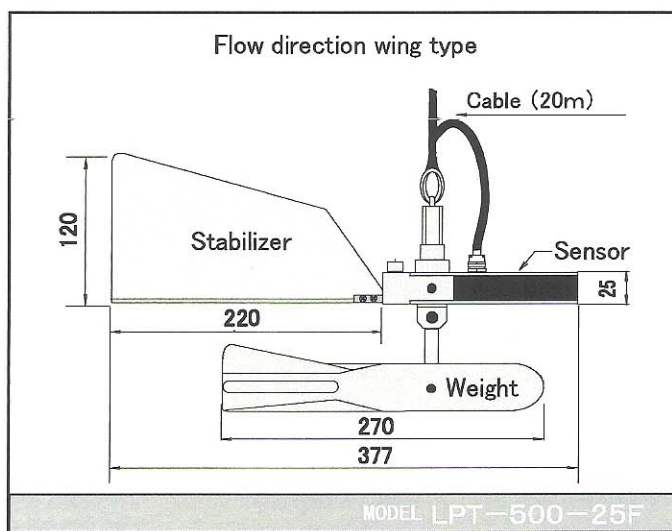
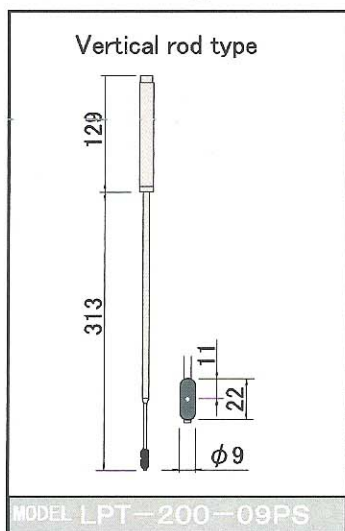
Flow direction wing type detector (20m cable)	1
Weight (Approx.5kg)	1
Susupending pipe (φ 19mm Length 1m)	1
Data sheet	1
Storage case	1

## [Standard specifications]

Main unit model:LP1100/Detector unit model:LPT-200-09PS (Vertical rod type)  
LPT-500-25F (Flow direction wing type)

Measuring direction	duple-trip velocity
Measuring range	0~2m/s (Model:LPT-200-09PS) 0~5m/s (Model:LPT-500-25F)
Measuring accuracy	±0.02m/s (0.5m/s~1m/s), ±0.04m/s (1m~2m/s) ±0.08m/s (2m/s~4m/s)
Noise	within ±0.005m/s (Flow velocity converted value at static water)
Average time	1,5,10,20,40,60sec (Average continuous monitoring function for 1 sec. is available.)
Display	LCD (4 lines 20 letters)
Data storage	Approx. 20.000 Data (Horizontal line distance, Device depth, Flow velocity, Average time&Time)
Calendar	(Built-in calendar clock for Year,Month,Day,Hour,Min)
Output	Real time transfer, keep drip the data of each sampling and transfer to P.C
Auto power save	Without operate the key for 3 min. (Except during the continuous monitoring function)
Power source	Built-in battery:Continuous use time about 8 hrs. :Charging time about 10 hrs. (full charged) AC adaptor :100Vac ±10V 50Hz or 60Hz about 7VA (Combned use of charger)
Dimensions	(Approx. 215W×100H×70Dmm (Water drop proof type)
WeightAmbient atmosphere	(Approx. 1.6kg 0~+50°C 80RH%

## [Detector fig.]



Specifications subject change without notice.

CAT.NO.070331E

**KENEK Corporation**

2-8-1Musashino,Akisima-city,Tokyo196-0021

TEL042-544-1011 FAX042-544-4748

<http://www.kenek-co.com/>

Email:info@kenek-co.com